

Wall Mount Speaker

TSG-BD12

12W Bi-Directional Wall Mount Wooden Speaker

Bi-directional configuration for larger coverage | Wooden cabinet for better audio reproduction | Broad opening angle

The TSG-BD12 loudspeakers have been designed and manufactured for the providing wider coverage. Thanks to the use of advanced technologies, they combine excellent acoustic parameters and high aesthetics with resistance to mechanical damages and varying weather conditions as well as low prices. It is a full range speaker for speech and music in various indoor and outdoor application such as department stores, schools, offices, stadium, metro station, BPOs etc.

Technical Specifications

MODEL TSG-BD12

Electrical

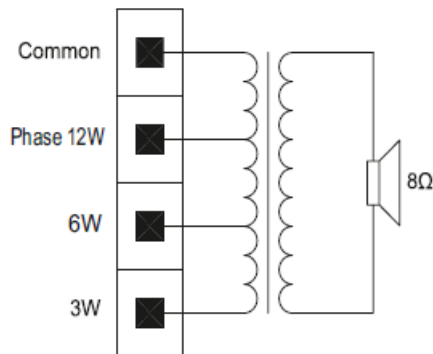
Rated power/Max. power, W	12/18
Tappings 100 V line, W	12/6/3
Frequency range(-10dB), Hz	200 - 15000
Sensitivity @ 1m, 1W, dB	87 +/- 5
SPL @ 1W, Rated power, dB	91
Speaker unit size	4"

Mechanical

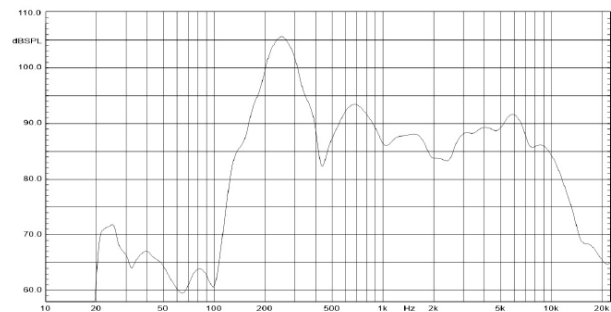
Dimensions, mm	215(L) x 120(W) x 226(H)
Color	Black
Material	MDF Board
Net Weight, Kg	1.80
Connection	4-Way Connector



Circuit Diagram



Frequency Response



For more information, contact techsupport@tsgaudioinnovation.com