

Ceiling Loudspeaker

TSG-CP4i

6W Ceiling Loudspeaker

*Aesthetic design | Good speech and music reproduction | Fully ABS with metal grille
| Suitable in humid condition*

Ceiling-mounted PA loudspeakers is designed for applications which require the minimum size at the maximum sound quality. Their parameters have been carefully selected to match the operating requirements in the rooms exposed to after-sound and high-humidity. The Speaker is an economical ceiling loudspeaker for general purpose applications. It is a full range loudspeaker for speech and music reproduction in shops, department stores, schools, offices, stadium, hotels, and restaurants.

Technical Specifications

MODEL TSG-CP4i

Electrical

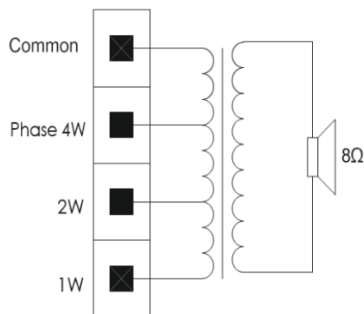
| | |
|----------------------------|-------------|
| Rated power/Max. Power, W | 4/6 |
| Tappings 100 V line, W | 4/2/1 |
| Frequency range(-10dB), Hz | 125 - 15000 |
| SPL @ 1W (at 1Khz,1m), dB | 78 |
| Speaker unit size | 4" |
| Dispersion Angle | 170 deg |

Mechanical

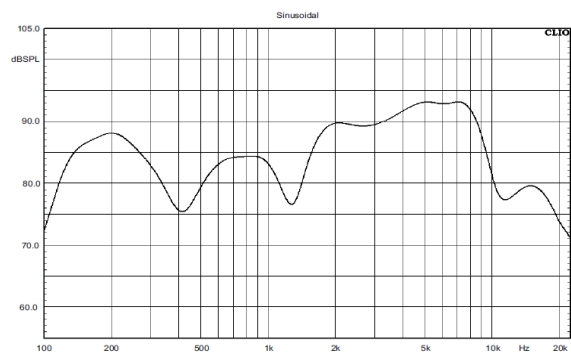
| | |
|----------------|-----------------------|
| Dimensions, mm | 149(OD) X 70(H) |
| Color | White |
| Weight, Kg | 0.475 |
| Material | ABS with metal grille |
| Mounting | Spring clamp |
| Cut-out, mm | ø135 |



Circuit Diagram



Frequency Response



For more information, contact techsupport@tsgaudioinnovation.com