

Ceiling Loudspeaker

TSG-CP6

6W Ceiling Loudspeaker

Aesthetic design | Good speech and music reproduction | Fully ABS with metal grille

Ceiling-mounted PA loudspeakers is designed for applications which require the minimum size at the maximum sound quality. Their parameters have been carefully selected to match the operating requirements in the rooms exposed to after-sound and high-humidity. The Speaker is an economical ceiling loudspeaker for general purpose applications. It is a full range loudspeaker for speech and music reproduction in shops, department stores, schools, offices, stadium, hotels, and restaurants.

Technical Specifications

MODEL TSG-CP6

Electrical

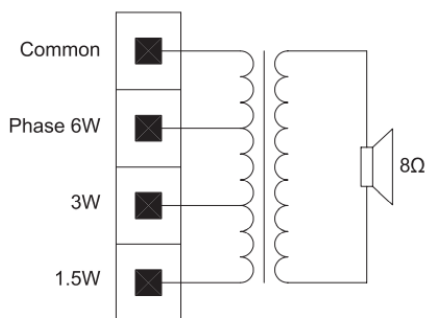
Rated power/Max. Power, W	6/9
Tappings 100 V line, W	6/3/1.5
Frequency range(-10dB), Hz	125 - 16000
Sensitivity @ 1m, 1W (dB)	82
SPL @ 1m, Rated power (dB)	86
Speaker unit size	4"
Dispersion Angle	170 deg

Mechanical

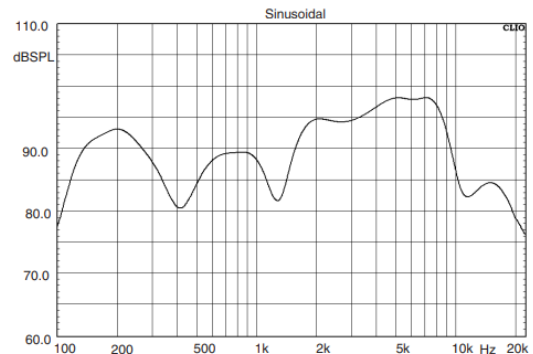
Dimensions, mm	149(OD) X 70(H)
Color	Opal White
Weight, Kg	0.480
Material	ABS with metal grille
Mounting	Spring clamp
Cut-out, mm	ø135



Circuit Diagram



Frequency Response



For more information, contact techsupport@tsgaudioinnovation.com