

Horn Speaker

TSG-HS15

15W Horn speaker

Provided with strong metal basket for rigid mounting | Designed with elliptical cabinet | Suitable for speech and music reproduction

TSG introduces high quality Horn loudspeaker model TSG-HS15 designed for either simple or most complex and sophisticated sound transmitting applications. They combine excellent acoustic parameters and high aesthetics with resistance to mechanical damages and varying weather conditions as well as simple assembling. It is cost-efficient loudspeaker provides high sound output in a wider area. Our TSG-HS15 loudspeaker offer comprises three power rating models, i.e., 15W, 7.5W, 3.75W.

Technical Specifications

MODEL TSG-HS15

Electrical

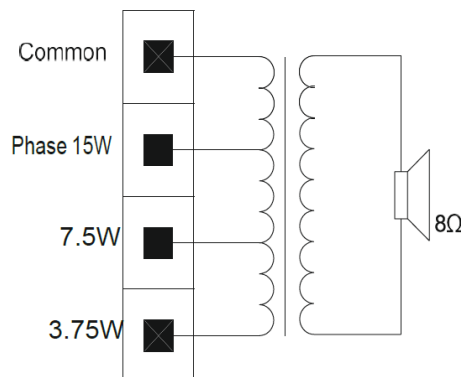
Rated power/ Max. power, W	15/22
Tappings 100 V line, W	15/7.5/3.75
Frequency range(-10dB), Hz	500 - 35000
SPL @1W (At 1Khz ,1m), dB	103
Impedance, Ohm	667/1333/2666

Mechanical

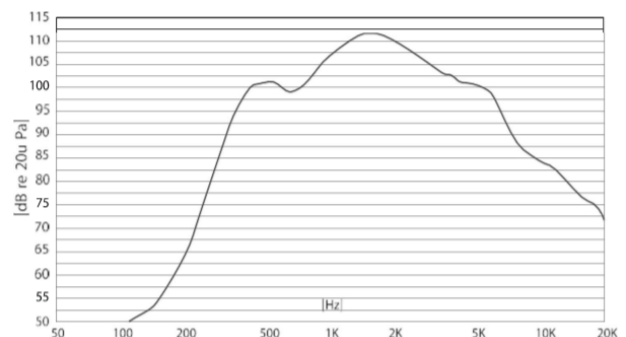
Dimensions, mm	221(L)x 164(W)x235(H)
Color	White
Material	ABS
Net Weight, Kg	1.4



Circuit Diagram



Frequency Response



For more information, contact techsupport@tsgaudioinnovation.com