

Wall Mount Speaker

TSG-WM15

15W Wooden Wall Mount Speaker

**Unique design | Wooden cabinet for better audio reproduction | Easy to install
| Suitable for humid condition**

The TSG-WM15 loudspeakers have been designed and manufactured for the most demanding customers as well as to meet the requirements of the most complex and sophisticated sound transmitting applications. The need to maintain the best acoustic parameters was the idea underlying the design process. Thanks to their wooden box casings the loudspeakers produce excellent sonic quality. It is 15W, cost-efficient speaker, provides high sound output. It is a full range speaker for speech and music in various indoor and outdoor application such as department stores, schools, offices, stadium, metro station, BPOs etc.

Technical Specifications

MODEL TSG-WM15

Electrical

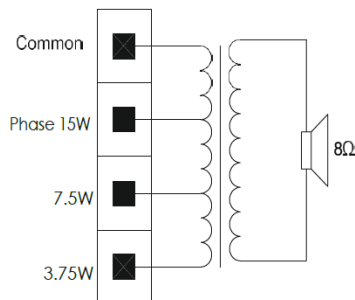
Rated power/Max. power, W	15/22
Tappings 100 V line, W	15/7.5/3.75
Frequency range(-10dB), Hz	200 - 15000
SPL @ 1W, @(1Khz,1m), dB	90
Speaker unit size	4"

Mechanical

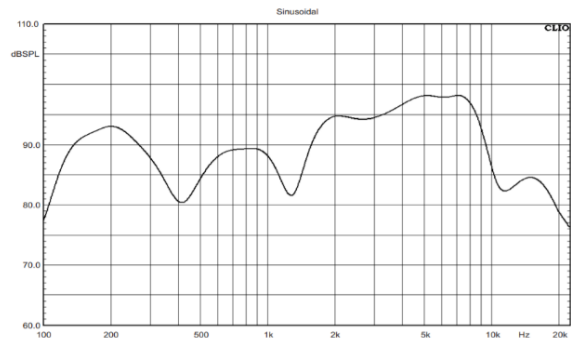
Dimensions, mm	130(L) x 150(W) x 427(H)
Color	Black
Material	MDF Board
Net Weight, Kg	2.3
Connection	4-Way Connector



Circuit Diagram



Frequency Response



For more information, contact techsupport@tsgaudioinnovation.com